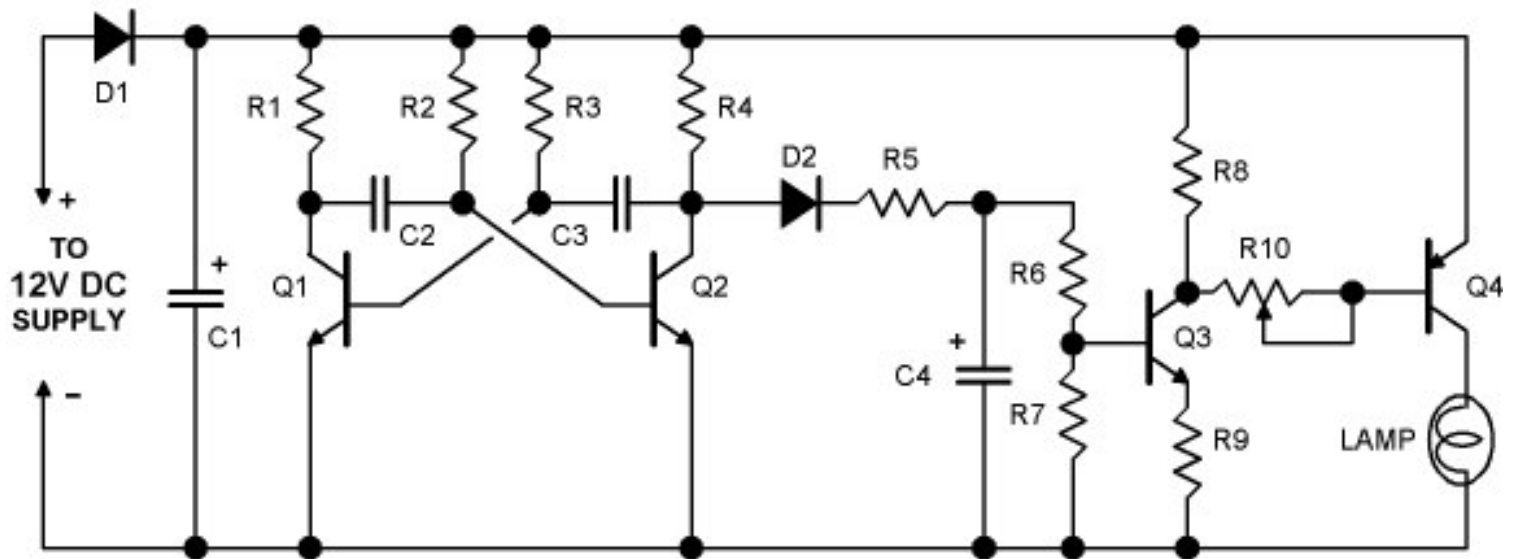


ROTATING BEACON

(by John Decker)



PARTS LIST

R1,R4	22 Kohm, 1/2W (RS 271-1128)
R2,R3	470 Kohm, 1/2W (271-1133)
R5,R6	220 Kohm, 1/2W (271-1132)
R7	47 Kohm, 1/2W (271-1130)
R8	15 Kohm, 1/2W (271-1127)
R9	1 Kohm, 1/2W (271-1118)
R10	50 Kohm potentiometer (271-1716), or 47K trimpot (271-283)
C1	1000uf, 35V electrolytic (272-1019)
C2,C3	1uf/35V non-polarized electrolytic (272-996)
C4	4.7uf, 35V electrolytic (272-1012)
D1,D2	1A, 50PIV diode (276-1101 or -1102)
Q1,Q2,Q3	Small-signal NPN (276-2009 or equiv)
Q4	PNP power (276-2027 or equiv) w/ heat sink
LAMP	12V grain-of-wheat or -rice bulb (Miniatronics, etc.)

Updated 2-19-02