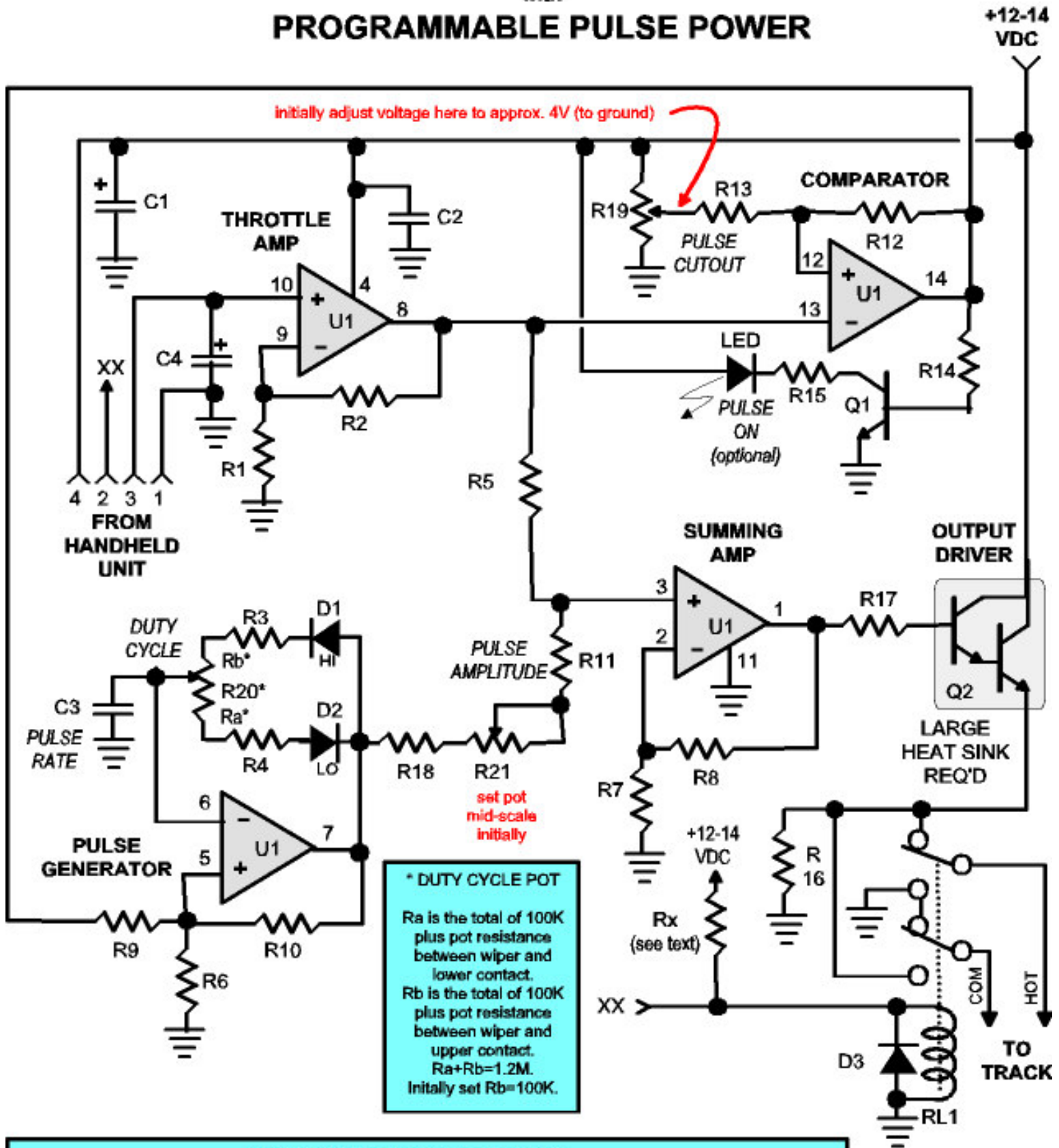


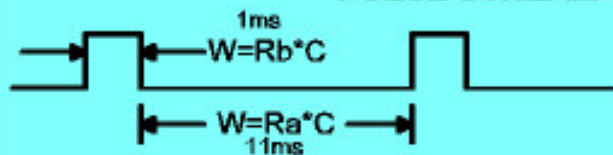
# MEMORY WALKAROUND THROTTLE

with

## PROGRAMMABLE PULSE POWER



### PULSE STREAM EQUATIONS



-83Hz

$$f = 1/[C \cdot (Ra + Rb)] = 1/[0.01\mu f \cdot (1.1M + 100K)]$$

DC =  $Rb / (Ra + Rb) = 100K / (1.1M + 100K)$

-8%